

LUNERA 6400^{LED}

4FT X 6.7IN SUSPENDED LINEAR LUMINAIRE



Project	Catalog #	Type
Firm	Specifier	Qty

INTENDED USE

The Lunera™ 6400 is an 4' LED luminaire designed for suspended applications. The 6400 will reduce energy consumption by 25%-50%, while lasting 5 times longer than typical fluorescents. The substantial energy savings combined with increased reliability enables the 6400 to lower a building's carbon footprint, demonstrating a company's commitment to sustainability.

The 6400 is a direct linear luminaire that produces soft, voluminous light to minimize eye fatigue and create a comfortable work environment. Using Lunera's TruLite™ color consistency process, the 6400 maintains uniformity across an entire installation.

Lunera luminaires are manufactured in the US using clean manufacturing standards including ROHs compliance.

FEATURES

THE 6400 IS DESIGNED AS A DIRECT REPLACEMENT FOR 4' FLUORESCENTS IN COMMERCIAL SPACES.

- 1,700 lumens
- 30 watts
- .55 watts/sq. ft (typical)
- Smooth continuous dimming (0-10 volt)
- Color temp: 4000K, 5000K
- 5 Year Warranty
- Easily remotable power supply up to 100'
- LM-80 tested LEDs
- LM-79 tested luminaire



CONSTRUCTION

Solid design, precision tooling and exacting quality control create a commercial LED fixture that meets the industry's needs and requirements.

Anodized aluminum extrusion with acrylic layers, tested and proven LEDs and a solid state power supply.

ELECTRICAL SYSTEM

Standard driver is high efficiency, solid-state with smooth dimming available.

Choose 120V 50/60Hz or 277V 50/60Hz

ACCESSORIES



BATTERY BACKUP	JOINING BRACKET
----------------	-----------------

1BB: BATTERY BACKUP
NA: NONE

JB1: JOINING BRACKET
NA: NONE

ORDERING

PLATFORM 6400	DIRECTIONAL DR	FRAME S	CCT	VOLTAGE	WATTAGE 030	CONTROL	PSU
------------------	-------------------	------------	-----	---------	----------------	---------	-----

6400

DR: DIRECT

S: SILVER

4000: 4000K
5000: 5000K

120V: 120 VOLTS
277V: 277 VOLTS
999M: MULTI VOLT

030: 30 WATTS

SS: STANDARD SWITCH
DM: 0-10V DIM

TG: REMOTE (T-GRID)
RE: REMOTE (OPEN BAY)

INSTALLATION INSTRUCTIONS, LM-79 TESTING, AND IES FILES AVAILABLE ONLINE AT WWW.LUNERA.COM

LUNERA 6400 SUSPENDED LED FIXTURE

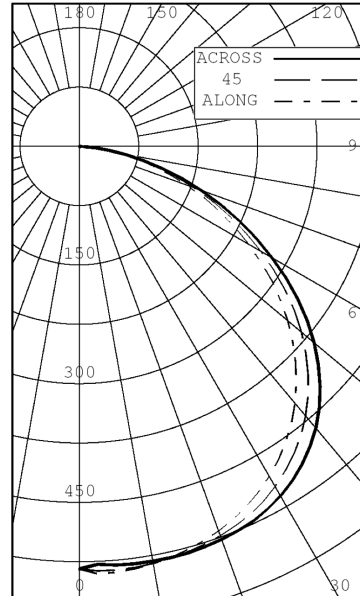
SPECIFICATIONS

Item	Specification	
Output	Lumen Maint (L70)	50,000 Hours
	Color Temperature	4000K, 5000K
	Lumens	1,700
	Efficacy (lm/w)	54
	Color Consistency	Proprietary Algorithm
	Power Factor	> 90%
Electrical	Input Voltage	120V 50/60 Hz or 277V 50/60 Hz
	Power Consumption	30W
Control		Dimming, 0-10 V
Physical	Dimensions (HxWxD)	48" x 6.7" x 1"
	Weight	11lbs
	Housing	Anodized Aluminum
	Optics	Acrylic
	Mounting	Fits standard size drop ceiling grid (15/16, 9/16, Chicago Plenum)
	Operating Temperature	-15°F to 115°F+ dF (-26°C to 46°C)
	Humidity	20%-85% RH, non- condensing
	Fixture Run Lengths	15' nominal, 100' available
Certification & Safety	Certification	UL, CUL, ETL, FCC
	Material usage	No mercury or lead used, ROHS compliant
	Environment	Dry and Damp
	LED Class	L70 Rated to 50,000+ hrs @ T ≤ 130°C (266°F)

PHOTOMETRICS

ZONAL LUMEN SUMMARY

Zone	Lumens	% LAMP	% FIXT
0-30°	437	26.2	26.2
0-40°	732	43.8	43.8
0-60°	1327	79.5	79.5
0-90°	1668	100.0	100.0

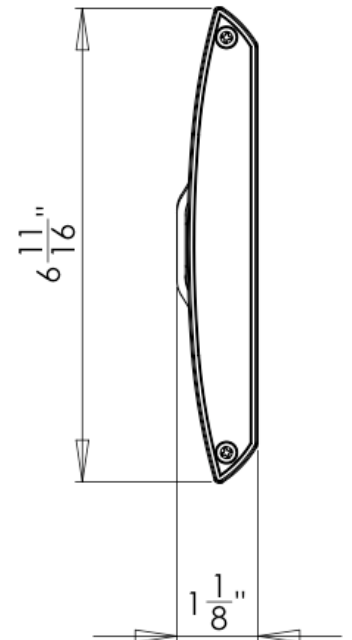
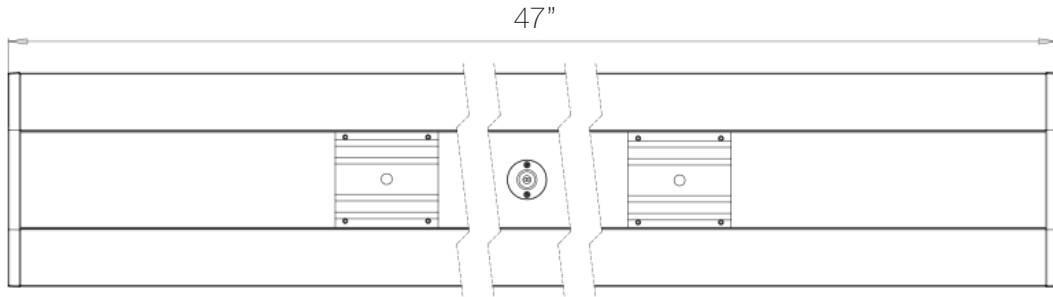


INTENSITY (CANDLEPOWER) SUMMARY

Angle	0°	45°
0°	534	534
5°	540	537
15°	528	531
25°	501	512
35°	454	473
45°	386	408
55°	296	317
65°	196	209
75°	97	103
85°	19	20
90°	0	0



DIMENSIONS & MOUNTING



Lunera Lighting, Inc.™ | For more info, contact us at info@lunera.com | www.lunera.com |
 T 650-241-3875 | F 650-362-1987 | 3696 Haven Avenue, Suite A, Redwood City, CA 94063
 © 2010 Lunera Lighting, Inc. All Rights Reserved

PID# 10-9.L3.DO2 REV B